

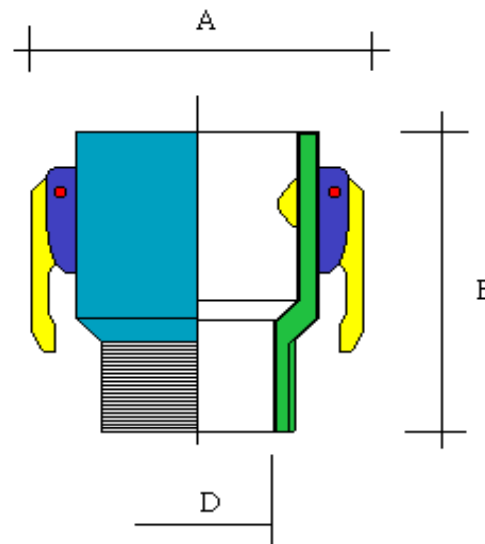
**Demer S.r.l.**

Via Padana Superiore, 36  
20065 INZAGO MI  
www.demer-flessibili.com

**Telefono 02 954 87 86**

Fax 02 953 10 489

e-mail: info@demer-flessibili.com



Modello

<b>B</b>	A	B	C	D	E
1/2"	50	52		16	
3/4"	50	52		22	
1"	60	62		26	
1. 1/4"	80	67		35	
1. 1/2"	89	70		38	
2"	97	79		50	
2. 1/2"	110	89		61	
3"	135	91		75	
4"	165	102		94	
5"	190	105		117	
6"	254	115		142	
8"					

Le quote sono indicative.